



DAB-100/-120/-140/-160/-180/-200 DROP ARM BARRIER (DAB)

The DAB is a heavy duty automated drop arm barrier gate, designed to control traffic through a secure check point. The arm rises and falls with an electrically powered hydraulic system. The Control Buttress and Non-Control Receiver Buttress are fabricated using plate-steel, and the arm is a 4" aluminum case surrounding a 3/4" steel cable. At the core of the system is an advanced PLC controller that is programmed to control all standard system features and can be customized to incorporate virtually any client requested options. Common uses for the system include revenue control, rental car agencies, secure checkpoints, and many more. The system can be anchored into concrete on flat surfaces.

Power Requirements:

1-1/2 HP, 110V Single-phase 18A. The unit can be built to meet any local power requirement as to voltage, frequency and phase.

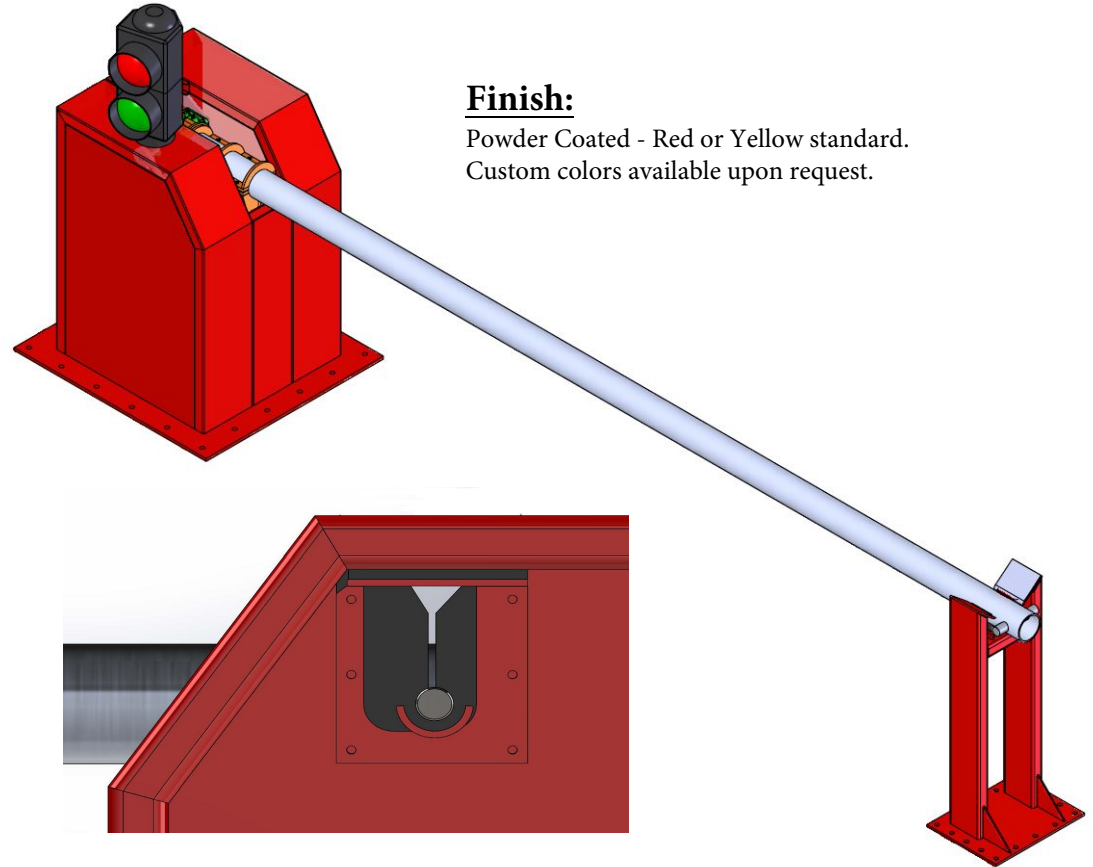
All power and signal wiring for the unit shall only be installed by a qualified person that has been approved by the Authority Having Jurisdiction (AHJ). Consult your local AHJ for approved electrical installation requirements. Branch circuit breaker must be rated for "HACR" and "High Magnetic" and/or "HID" loads.

System Assembly and Control Circuit:

Each system is completely pre-wired and tested at the factory. Physical installation only requires connection of AC power and the low voltage control wire. Controls and wiring can be configured to allow: remote open and close from multiple locations, radio open and close, card reader, key switch, or vehicle detector.

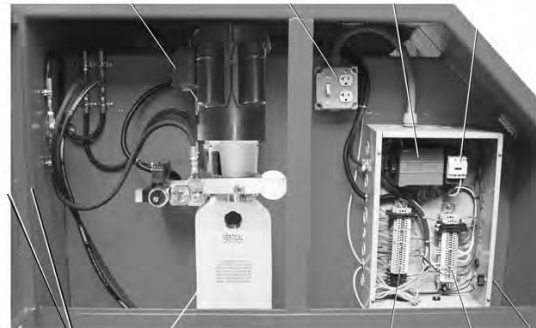
Traffic Lights and Safety Signs:

Red and Yellow traffic signals are available. The yellow light indicates the barrier is down and to move forward with caution, the red indicates to stop and it is not safe to move forward.

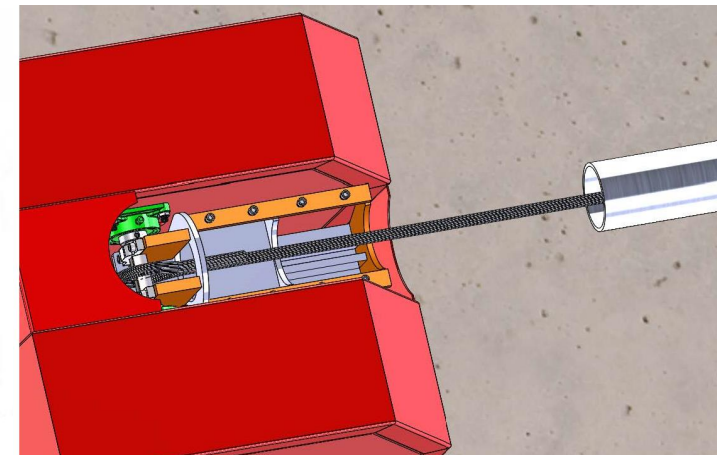


Finish:

Powder Coated - Red or Yellow standard.
Custom colors available upon request.



The control cabinet is professionally designed, wired, and assembled.



1-877-29SPIKE (297-7453)
LVIUSA.COM

98 MAPLE AVE. SMITHTOWN, NY 11787

DAB Family Dimensions for Installation Planning

DAB-100	Clear Width	System Width	Left Plate Width	RT Plate width	Plate Depth
	9' 3"	15' 3"	39"	33'	36"
DAB-120	Clear Width	System Width	Left Plate Width	RT Plate width	Plate Depth
	11' 3"	17' 3"	39"	33'	36"
DAB-140	Clear Width	System Width	Left Plate Width	RT Plate width	Plate Depth
	13' 3"	19' 3"	39"	33"	36"
DAB-160	Clear Width	System Width	Left Plate Width	RT Plate width	Plate Depth
	15' 3"	21' 3"	39"	33"	36"
DAB-180	Clear Width	System Width	Left Plate Width	RT Plate width	Plate Depth
	17' 3"	23' 3"	39"	33"	36"
DAB-200	Clear Width	System Width	Left Plate Width	RT Plate width	Plate Depth
	19' 3"	25' 3"	39"	33"	36"

